

Apollo

General Robot Platform

Datasheet

A4M31

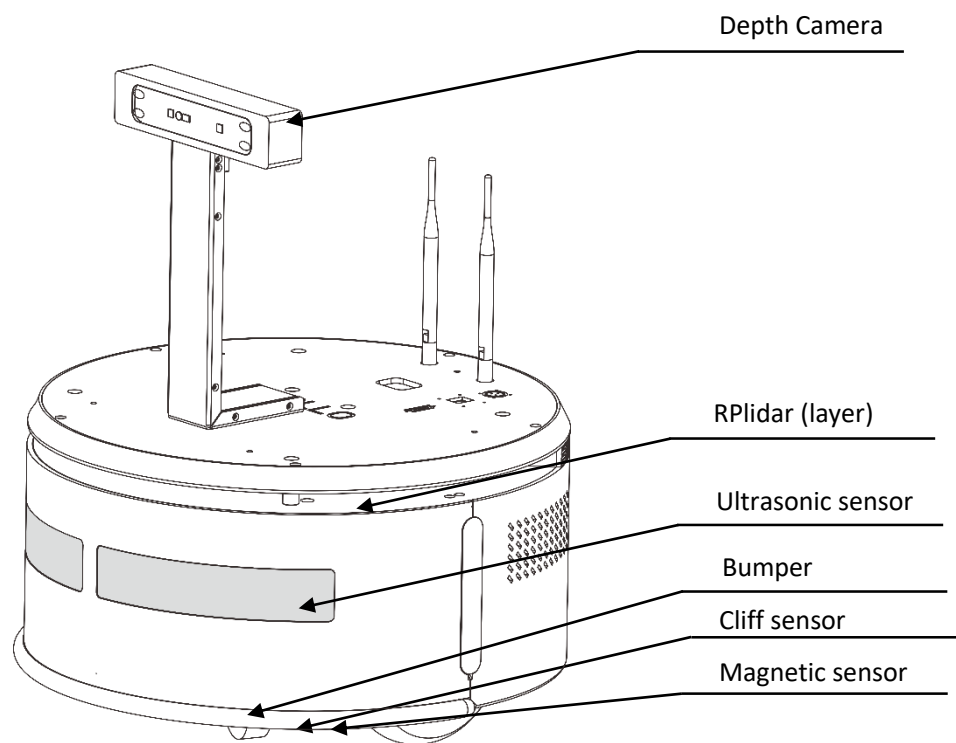
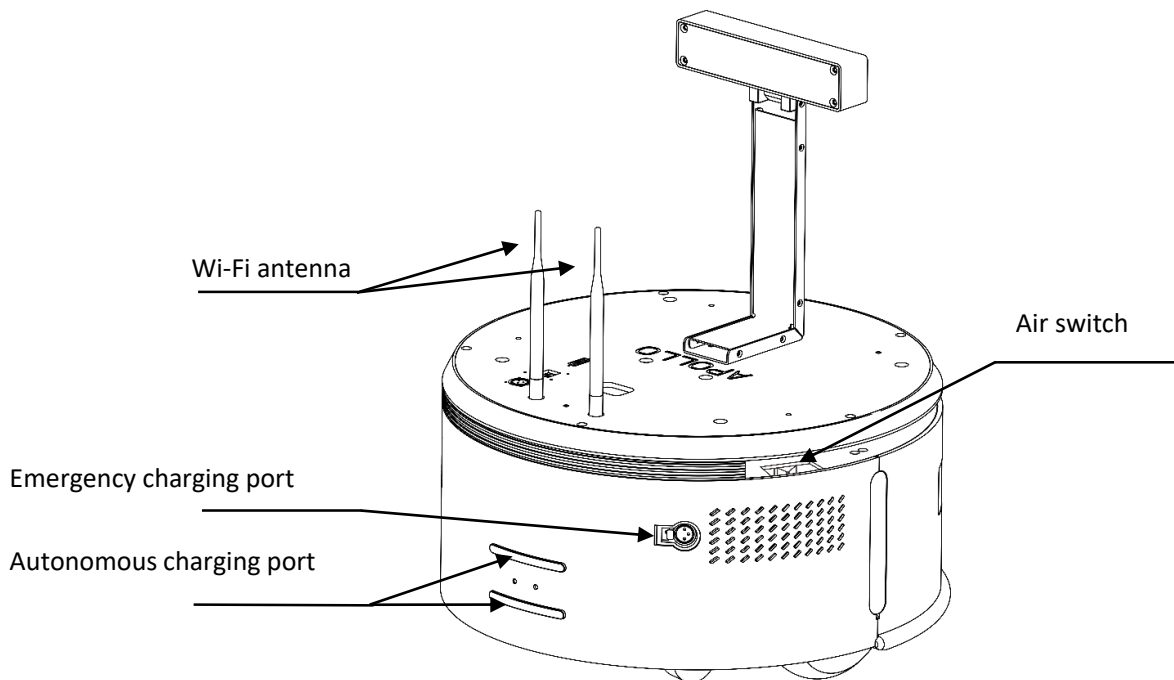
Small & medium-size robot development platform

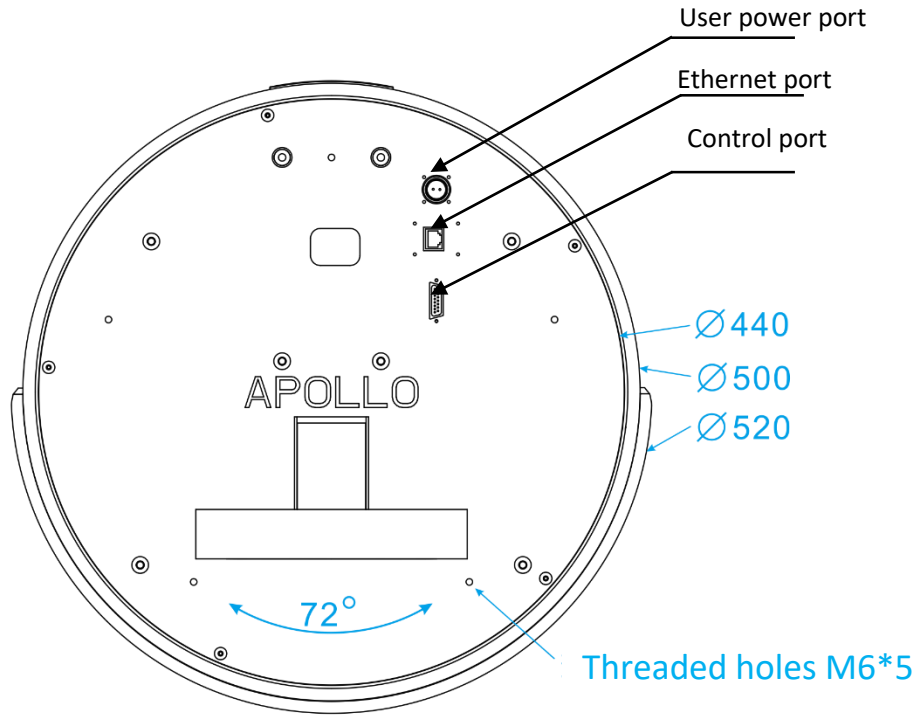
Flexible adaptation and strong extendability

Rich options

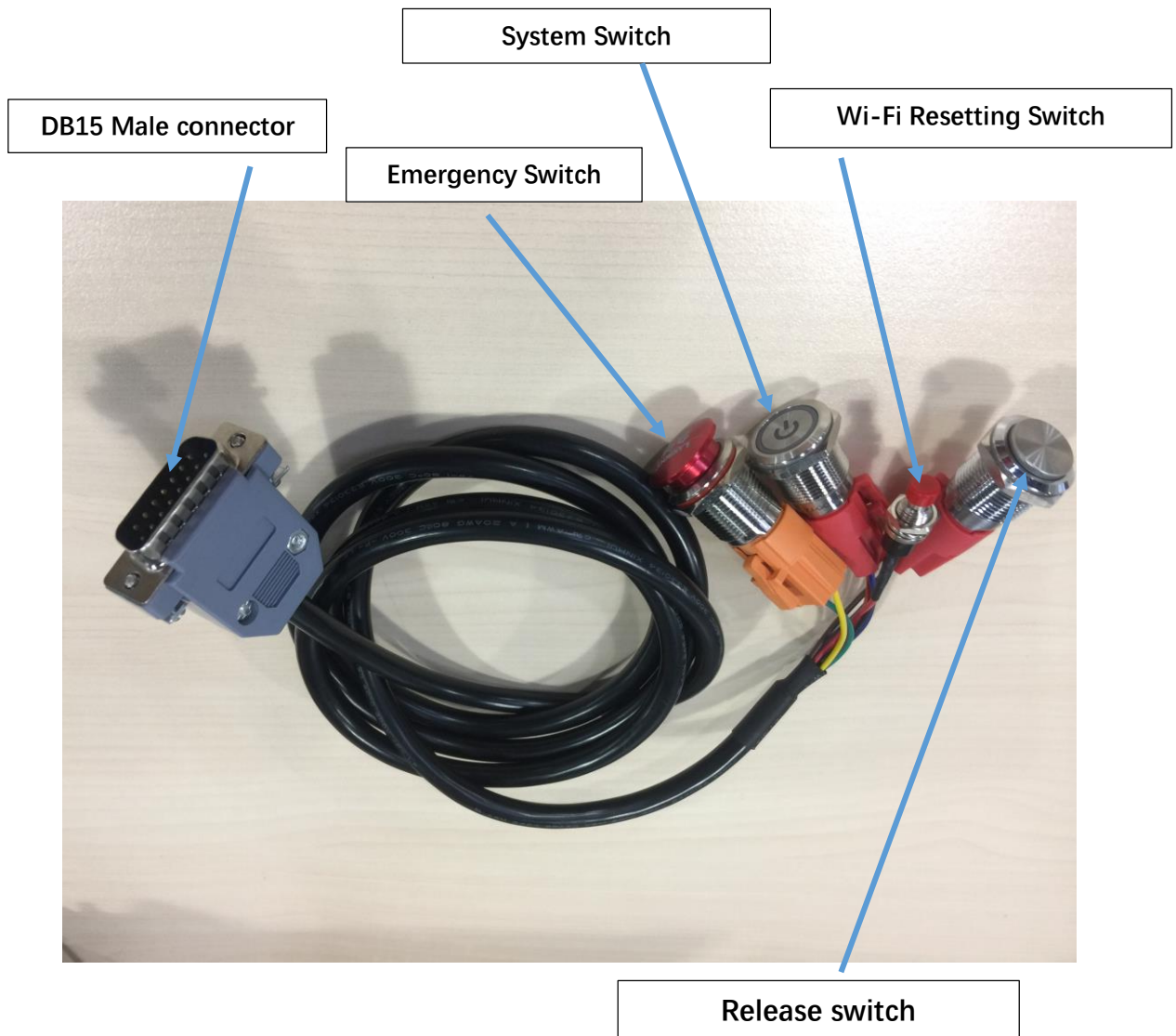


Apollo

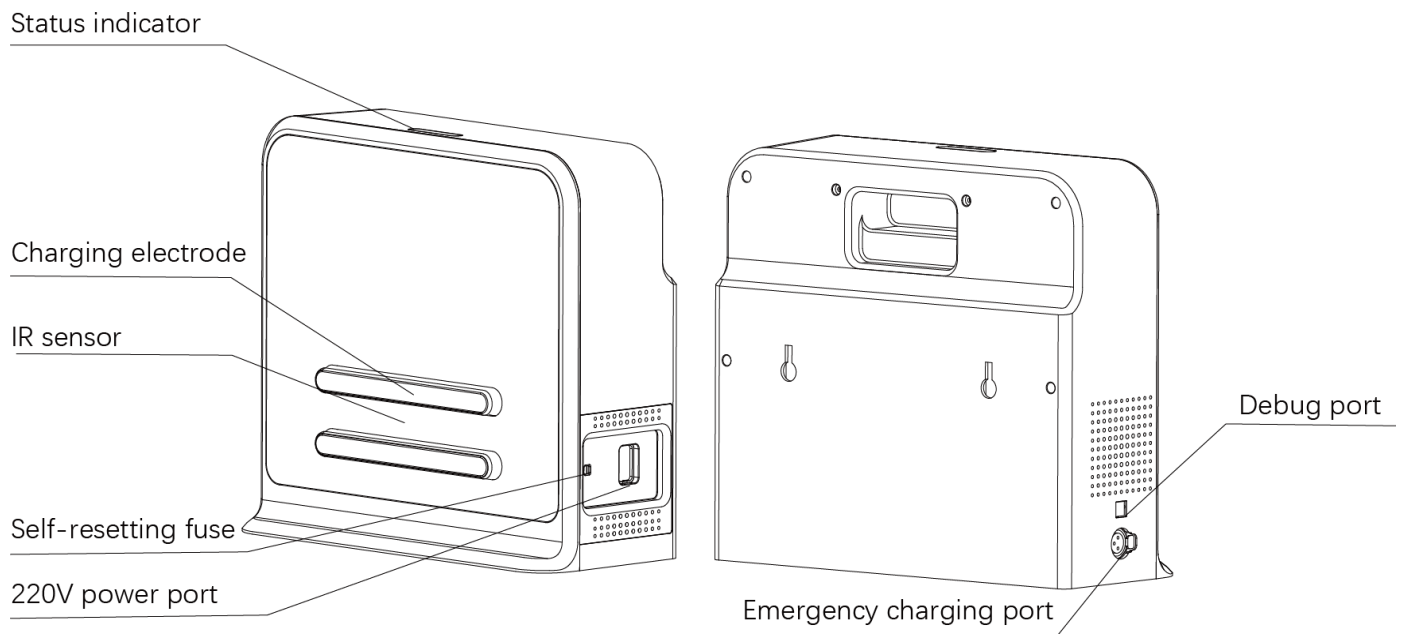




Apollo Switch(Optional)



Apollo Charging Station



Product Name		Apollo A4M31 Series	
Core Feature		SLAM localization and navigation	
Item		Index	Value
Mass & Volume		Diameter	500mm±10mm
		Height	270mm±10mm (without accessories)
		Weight	About 47kg
		Maximum Load	About 70kg
Sensor Performance	RPLIDAR	Maximum Scan Radius (On the surface with a 90% reflective rate)	25m
	Ultrasonic Sensor	Number	6
		Maximum Detecting Distance	50cm
	Cliff Sensor	Number	3
		Minimum Detecting Depth	5cm
	Depth Camera	Detecting Distance Range	0.4m-1.3m
		Field of View (FOV)	H 59° / V 46°
	Magnetic Sensor	Number	3
		Minimum Detecting Distance	3.5cm
	Pressure Bumper	Number	1
Pressure Increase Rate		100pa/5ms	
Mapping Performance		Map Definition	5cm
		Maximum Mapping Area	500m x 500m
Walking Performance		Maximum Speed	0.7 m/s
		Maximum Passing Slope Angle	Slope not supported
User Interface	Hardware Interface	Ethernet	10/100/1000 Mbps
		Control Interface	Self-defined 15 pin interface
		Power	DC 20-25.2V 5A Max
		Wi-Fi	5G&2.4G 802.11a/b/g/n/ac
	Software Interface	SLAMWARE™	Windows/iOS/Android/Linux
Battery & Endurance		Capacity & Specification	24V32AH
		Working Hours	> 12 h
		Power Dissipation In Stand-by Time	< 25 W
		Battery Life	Power will decline to 80% percent after 1000 charge-discharge cycles
Autonomous Recharging		Quick Charging Station	Input: 100 ~ 240 VAC
			Output: 25.2V 10A Max
			Charging Time : ≤3h

	Charging Station	Input: 100 ~ 240 VAC
Autonomous Recharging	Charging Station	Output: 25.2V 6A Max
		Charging Time : ≤ 5 h
Operating Environment	Operating Temperature	-10°C ~ 40°C
	Operating Humidity	30% ~ 70%